

Pompe serie XLT-A serie 2008

XLT-A Pumps 2008 series

HC930A

HC932A

HC940A

HC950A

HC960A

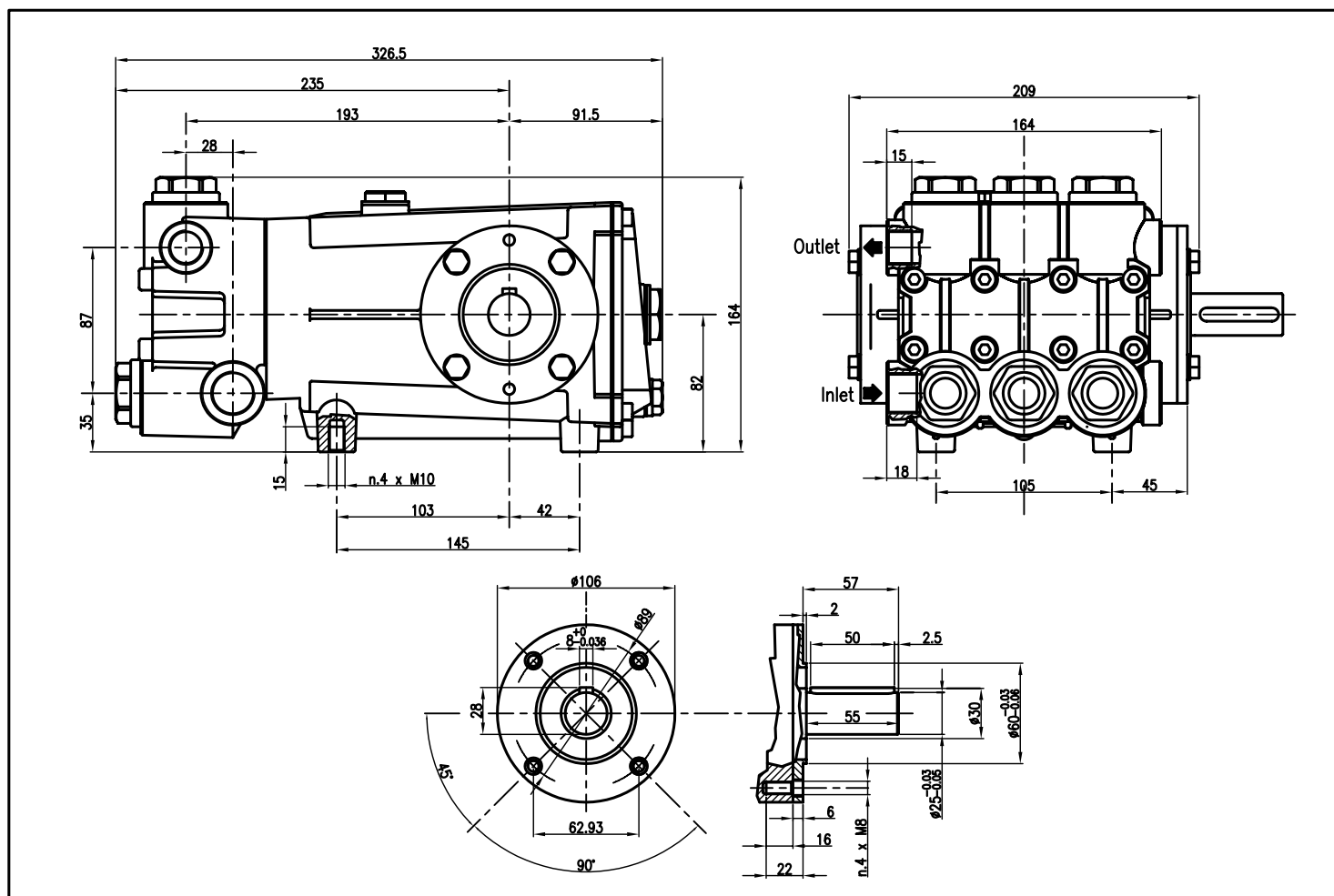
HC980A

# Caratteristiche Tecniche Technical Characteristics

## XLT-A

Pump Pompe Pumpen Pompa	Pressure Pression Druck Pressione		Volume Dèbit Leistung Portata		RPM tours/min u.p.m. giri/min	Required HP Puissance HP Leistung HP Potenza HP	Inlet port Entrée Eingang Aspirazione	Outlet Sortie Ausgang Mandata	Weight Poids Gewicht Peso	Kg Kg Kg Kg
	bar	PSI	l/min	GPM						
HC930A	300	4350	18		1450	13.9	G 1/2	G 3/8	17.7	
				5.7	1725	16.5				
HC932A	300	4350	20		1450	15.5	G 1/2	G 3/8	17.7	
				6.4	1725	18.5				
HC940A	200	3000	25.5		1450	13.1	G 3/4	G 1/2	17.7	
				8.0	1725	15.5				
HC950A	200	3000	30.0		1450	15.4	G 3/4	G 1/2	17.7	
				9.4	1725	18.2				
HC960A	170	2500	34.0		1450	14.9	G 3/4	G 1/2	17.7	
				10.7	1725	17.7				
HC980A	140	2000	40.0		1450	14.4	G 3/4	G 1/2	17.7	
				12.5	1725	17.0				

### Dimensioni d'ingombro Overall dimensions



Lubrificazione: Olio SAE 20÷40 W  
Capacità 1.2 Litri

Lubrication: SAE 20÷40W Oil  
Capacity 1.2 l

Pos. Item	Codice Part Number	Description	Descrizione	Q.tà/Pompa Q.ty/Pump	HC930A	HC932A	HC940A	HC950A	HC960A	HC980A
1	0202.03	Crankcase	<i>Carter</i>	1			◆	◆	◆	◆
	0202.23	Crankcase	<i>Carter</i>	1	◆	◆				
2	0602.00	Plunger guide	<i>Guida asta pistone</i>	3						
*3	0001.01	Plunger oil seal	<i>Anello radiale</i>	3	◆	◆	◆	◆	◆	◆
*4	0601.08	"O" Ring Ø1.78x37.82	<i>"O" Ring Ø1.78x37.82</i>	3						
*5	0002.33	"U" seal, dia.20mm	<i>Anello tenuta "U" Ø20</i>	6	◆	◆				
	0002.34	"U" seal, dia.22mm	<i>Anello tenuta "U" Ø22</i>	6			◆			
	0002.35	"U" seal, dia.25mm	<i>Anello tenuta "U" Ø25</i>	6				◆	◆	
	0002.41	"U" seal, dia.28mm	<i>Anello tenuta "U" Ø28</i>	6						◆
*6	1201.24	Pressure ring 20mm	<i>Pressore Ø20</i>	3	◆	◆				
	1201.25	Pressure ring 22mm	<i>Pressore Ø22</i>	3			◆			
	1201.26	Pressure ring 25mm	<i>Pressore Ø25</i>	3				◆	◆	
	1201.30	Pressure ring 28mm	<i>Pressore Ø28</i>	3						◆
*7	0300.37	Support ring 20mm	<i>Diffusore Ø20</i>	6	◆	◆				
	0300.38	Support ring 22mm	<i>Diffusore Ø22</i>	6			◆			
	0300.39	Support ring 25mm	<i>Diffusore Ø25</i>	6				◆	◆	
	0300.46	Support ring 28mm	<i>Diffusore Ø28</i>	6						◆
*8	0300.32	Intermed. ring 20mm	<i>Diffusore Intermed. Ø20</i>	3	◆	◆				
	0300.33	Intermed. ring 22mm	<i>Diffusore interm. Ø22</i>	3			◆			
	0300.34	Intermed. ring 25mm	<i>Diffusore interm. Ø25</i>	3				◆	◆	
	0300.45	Intermed. ring 28mm	<i>Diffusore interm. Ø28</i>	3						◆
*9	0009.24	Back ring 20mm	<i>Anello antiestrusione Ø20</i>	3	◆	◆				
	0009.25	Back ring 22mm	<i>Anello antiestrusione Ø22</i>	3			◆			
	0009.26	Back ring 25mm	<i>Anello antiestrusione Ø25</i>	3				◆	◆	
	0009.31	Back ring 28mm	<i>Anello antiestrusione Ø28</i>	3						◆
*10	1601.20	Brass plug G1/2	<i>Tappo G1/2</i>	1	◆	◆				
	1601.33	Brass plug G3/4	<i>Tappo G3/4</i>	1			◆	◆	◆	◆
*11	0603.07	Copper washer 1/2	<i>Guarnizione rame G1/2</i>	1	◆	◆				
	0603.11	Copper washer 3/4	<i>Guarnizione rame G3/4</i>	1			◆	◆	◆	◆
*12	1602.19	Manifold housing	<i>Testata</i>	1			◆	◆	◆	
	1602.20	Manifold housing	<i>Testata</i>	1	◆	◆				
	1602.21	Manifold housing	<i>Testata</i>	1						◆
*13	0601.66	"O" Ring Ø2.62x25.7	<i>"O" Ring Ø2.62x25.07</i>	6	◆	◆	◆	◆	◆	◆
*14	3604.50	Valve assembly	<i>Valvola premontata</i>	6			◆	◆	◆	◆
	3604.53	Brass Valve assembly	<i>Valvola ottone premont.</i>	6	◆	◆				
*15	0601.67	"O" Ring Ø3.53x26.58	<i>"O" Ring Ø3.53x26.58</i>	6	◆	◆	◆	◆	◆	◆
*16	1601.31	Valve plug	<i>Tappo valvola</i>	6						
17	1801.31	Manifold stud bolt	<i>Vite M8x90</i>	8			◆	◆	◆	◆
	1801.33	Manifold stud bolt	<i>Vite M10x90</i>	8	◆	◆				
18	1400.01	Washer	<i>Rosetta Ø8.5</i>	8			◆	◆	◆	◆
	1403.01	Lock-Washer	<i>Rosetta elastica Ø10,2</i>	8	◆	◆				
*19	0603.06	Copper washer 3/8	<i>Guarnizione rame G3/8</i>	1	◆	◆				
	0603.07	Copper washer 1/2	<i>Guarnizione rame G1/2</i>	1			◆	◆	◆	◆
*20	1601.17	Brass plug 3/8	<i>Tappo G3/8</i>	1	◆	◆				
	1601.20	Brass plug 1/2	<i>Tappo G1/2</i>	1			◆	◆	◆	◆
21	1503.19	Valve seat	<i>Sede valvola</i>	6			◆	◆	◆	◆
	1503.24	Valve seat	<i>Sede valvola</i>	6	◆	◆				
22	1202.08	Valve plate	<i>Piattello valvola</i>	6			◆	◆	◆	◆
	1202.11	Valve plate	<i>Piattello valvola</i>	6	◆	◆				
23	0900.04	Valve spring	<i>Molla valvola</i>	6	◆	◆				
	0900.32	Valve spring	<i>Molla valvola</i>	6			◆	◆	◆	◆

Pos. Item	Codice Part Number	Description	Descrizione	Q.tà/Pompa Q.ty/Pump	HC930A	HC932A	HC940A	HC950A	HC960A	HC980A
24	0604.06	Valve cage	Gabbia valvola	6			◆	◆	◆	◆
	0604.08	Brass Valve cage	Gabbia valvola ottone	6	◆	◆				
25	1802.03	Hexagonal screw	Vite M8x18	8						
26	1400.01	Washer	Rosetta Ø8.5	8						
27	0500.54	Closed bearing housing	Flangia chiusa	1						
28	0500.53	Bearing housing	Flangia	1	◆	◆	◆	◆	◆	◆
29	0601.00	"O" Ring Ø2.62x71.12	"O" Ring Ø2.62x71.12	2						
30	0001.00	Crankshaft seal	Anello radiale	1						
31	0200.04	Roller bearing	Cuscinetto a rulli	2						
32	0004.47	Crankshaft	Albero eccentrico	1	◆			◆		
	0004.74			1		◆	◆		◆	
	0004.78			1						◆
33	0206.05	Crankshaft key	Chiavetta	1						
34	1600.00	Oil dip stick	Tappo livello olio	1						
35	0301.00	Shim	Distanziale	1						
*36	1800.00	Plunger bolt	Vite pistone	3	◆	◆	◆	◆	◆	◆
*37	1400.13	Copper spacer	Rosetta rame	3						
*38	0601.02	"O" Ring Ø1.78x10.82	"O" Ring Ø1.78x10.82	3						
*39	0009.02	Teflon ring	Anello antiestrusione	3						
*40	1200.11	Plunger 20mm	Pistone Ø20	3	◆	◆				
	1200.12	Plunger 22mm	Pistone Ø22	3			◆			
	1200.13	Plunger 25mm	Pistone Ø25	3				◆	◆	
	1200.24	Plunger 28mm	Pistone Ø28	3						◆
*41	1400.14	Copper spacer	Rosetta rame	3						
42	0003.00	Plunger rod	Asta pistone	3						
43	0100.00	Connecting rod	Biella completa	3						
44	1502.00	Connecting rod pin	Spinotto	3						
45	1801.01	Connecting rod screw	Vite M8x35	6						
46	1500.00	Snap ring	Anello Ø12	6						
47	1401.03	Spring washer	Rosetta elastica Ø8	6	◆	◆	◆	◆	◆	◆
48	0601.85	"O" Ring Ø2,62x152,07	"O" Ring Ø2,62x152,07	1						
49	0203.51	Crankcase cover	Coperchio	1						
50	0603.02	Gasket, G3/8	Guarnizione G3/8	1						
51	1601.17	Brass plug 3/8	Tappo G3/8	1						
52	0700.05	Sight glass, G3/4	Spia livello olio G3/4	1						
53	1801.12	Cover screw	Vite M6x16	5						

Part available  
in kit only

Particolare disponibile  
solo in kit

\* Part available  
in kit also

Particolare disponibile  
anche in kit

## SPARE PARTS KIT

## KIT RICAMBI

Posizioni Item	Part Number & Description	Codice e Descrizione	Q.tà/Pompa Q.ty/Pump	HC930A	HC932A	HC940A	HC950A	HC960A	HC980A
4- 5- 7- 9	2629.05 Plunger Seals 20 mm	2629.05 Guarnizioni pistone Ø20	1	◆	◆				
4- 5- 7- 9	2629.06 Plunger Seals 22 mm	2629.06 Guarnizioni pistone Ø22	1			◆			
4- 5- 7- 9	2629.07 Plunger Seals 25 mm	2629.07 Guarnizioni pistone Ø25	1				◆	◆	
4- 5- 7- 9	2629.15 Plunger Seals 28 mm	2629.15 Guarnizioni pistone Ø28	1						◆
3-4-5-6-7-8-9	2629.01 Complete seal Packing 20 mm	2629.01 Pacco completo Guarnizioni pistone Ø20	3	◆	◆				
3-4-5-6-7-8-9	2629.02 Complete seal Packing 22 mm	2629.02 Pacco completo Guarnizioni pistone Ø22	3			◆			
3-4-5-6-7-8-9	2629.03 Complete seal Packing 25 mm	2629.03 Pacco completo Guarnizioni pistone Ø25	3				◆	◆	
3-4-5-6-7-8-9	2629.16 Complete seal Packing 28 mm	2629.16 Pacco completo Guarnizioni pistone Ø28	3						◆
36- 37- 38- 39 40- 41	2600.04 Plunger 20 mm	2600.04 Pistone Ø20	3	◆	◆				
36- 37- 38- 39 40- 41	2601.02 Plunger 22 mm	2601.02 Pistone Ø22	3			◆			
36- 37- 38- 39 40- 41	2602.03 Plunger 25 mm	2602.03 Pistone Ø25	3				◆	◆	
36- 37- 38- 39 40- 41	2629.17 Plunger 28 mm	2629.17 Pistone Ø28	3						◆
13- 14- 15	2600.10 Complete Valve	2600.10 Valvola completa	6			◆	◆	◆	◆
13- 14- 15	2600.13 Complete brass Valve	2600.13 Valvola ottone completa	6	◆	◆				
3	2600.03 Plunger oil Seal	2600.03 Anelli tenuta olio Asta	1	◆	◆	◆	◆	◆	◆
4-5-6-7-8-9-10 11-12-13-14-15 16-19-20	2612.25 Complete Manifold	2612.25 Testata Completa	1	◆					
4-5-6-7-8-9-10 11-12-13-14-15 16-19-20	2600.59 Complete Manifold	2600.59 Testata Completa	1		◆				
4-5-6-7-8-9-10 11-12-13-14-15 16-19-20	2612.19 Complete Manifold	2612.19 Testata Completa	1			◆			
4-5-6-7-8-9-10 11-12-13-14-15 16-19-20	2612.24 Complete Manifold	2612.24 Testata Completa	1				◆	◆	
4-5-6-7-8-9-10 11-12-13-14-15 16-19-20	2612.27 Complete Manifold	2612.27 Testata Completa	1						◆