

HC310
 HC320
 HC330
 HC340
 HC350
 HC370

HS310
 HS330
 HS340
 HS350
 HS370

Hawk pumps
SST series

Caratteristiche Tecniche

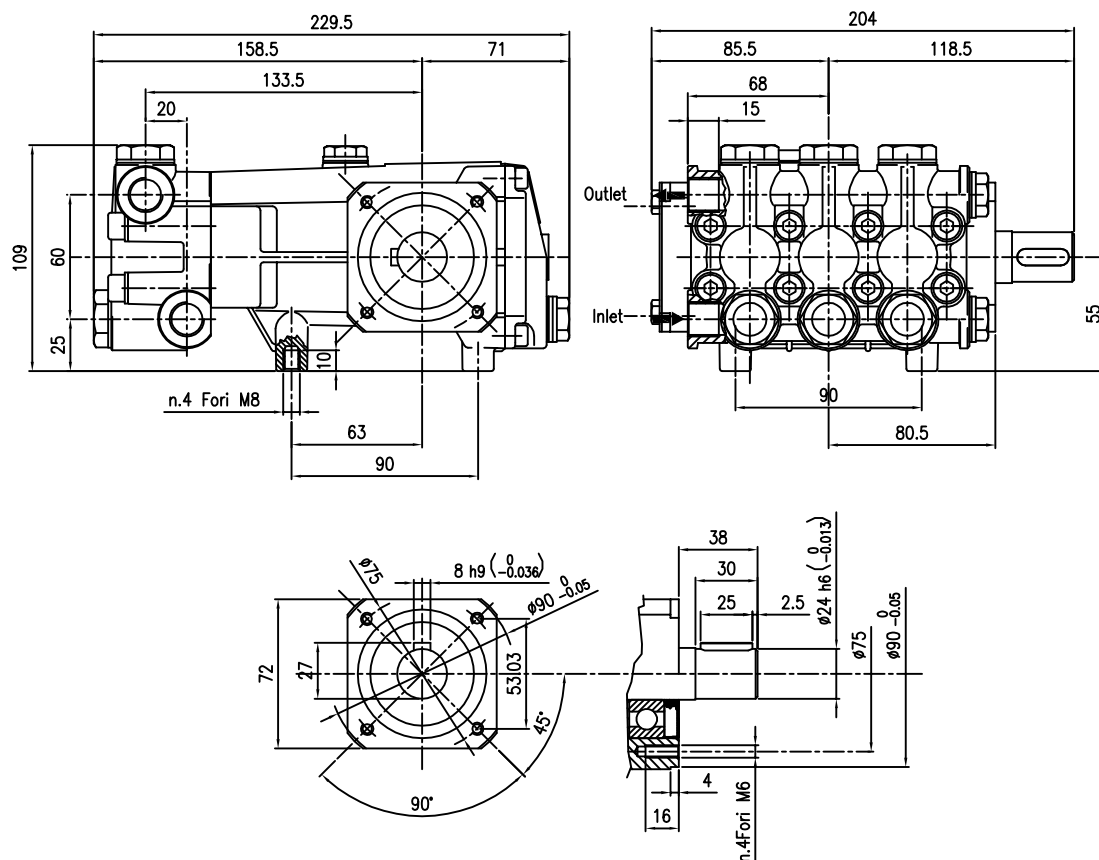
SST

Technical Characteristics

Pump Pompe Pumpen Pompa	Pressure Pression Druck Pressione		Volume Débit Leistung Portata		RPM tours/min u.p.m. giri/min	Required HP Puissance HP Leistung HP Potenza HP	Inlet port Entrée Eingang Aspirazione	Outlet Sortie Ausgang Mandata	Weight Kg Poids Kg Gewicht Kg Peso Kg
	bar	PSI	l/min	GPM					
HC310	140	2000	8.5		1450	3.0	G 3/8	G 3/8	7
					2.5	1725			
HC320	140	2000	12.0		1450	4.4	G 3/8	G 3/8	7
					3.7	1725			
HC330	140	2000	10.0		1450	3.5	G 3/8	G 3/8	7
					3.2	1725			
HC340	140	2000	13.0		1450	4.7	G 3/8	G 3/8	7
					4.0	1725			
HC350	140	2000	11.0		1450	4.0	G 3/8	G 3/8	7
					3.5	1725			
HC370	140	2000	14.0		1450	5.0	G 3/8	G 3/8	7
					4.4	1725			
HS310	170	2500	8.5		2800	3.7	G 3/8	G 3/8	7
					2.5	3400			
HS330	170	2500	10		2800	4.5	G 3/8	G 3/8	7
					3.2	3400			
HS340	170	2500	12.5		2800	5.4	G 3/8	G 3/8	7
					3.7	3400			
HS350	170	2500	11.0		2800	4.8	G 3/8	G 3/8	7
					3.5	3400			
HS370	170	2500	14.0		2800	6.1	G 3/8	G 3/8	7
					4.0	3400			

Dimensioni d' ingombro

Overall dimensions



Lubrificazione: Olio SAE 20/40W
Capacità 0.7 Litri

Lubrication: SAE 20/40W Oil
Capacity 0.4 Litri

Pos. Item	Codice Part Number	Description	Descrizione	Q.tà/Pompa Q.ty/Pump	HC310	HC320	HC330	HC340	HC350	HC370
1	0202.15	Crankcase	<i>Carter</i>	1						
2	0602.01	Plunger guide	<i>Guida asta pistone</i>	3						
*3	0001.03	Plunger oil seal	<i>Anello radiale</i>	3						
*4	0601.07	"O" Ring Ø1.78x31,47	<i>"O" Ring Ø1.78x31,47</i>	3						
*5	0002.04	"V" seal, dia.18mm	<i>Anello tenuta "V" Ø18</i>	6						
*6	1201.03	Pressure ring 18mm	<i>Pressore Ø18</i>	3						
*7	0300.07	Support ring 18mm	<i>Diffusore Ø18</i>	6						
*8	0300.26	Intermed. ring 18mm	<i>Diffusore Interm. Ø18</i>	3						
9	1601.17	Brass plug G3/8	<i>Tappo G3/8</i>	3						
10	0603.06	Copper washer 3/8	<i>Guarnizione rame G3/8</i>	2						
11	1602.18	Manifold housing	<i>Testata</i>	1						
*12	0601.61	"O" Ring Ø1.78x15.60	<i>"O" Ring Ø1.78x15.60</i>	6						
*13	3604.60	Valve assembly	<i>Valvola premontata</i>	6						
*14	0601.06	"O" Ring Ø2.62x18.72	<i>"O" Ring Ø2.62x18.72</i>	6						
15	1601.36	Valve plug	<i>Tappo valvola</i>	6	◆	◆	◆	◆	◆	◆
16	1801.27	Manifold stud bolt	<i>Vite M8x55</i>	8						
17	1400.01	Washer	<i>Rosetta Ø8.5</i>	8						
18	1503.22	Valve seat	<i>Sede valvola</i>	6						
19	1202.00	Valve plate	<i>Piattello valvola</i>	6						
20	0900.30	Valve spring	<i>Molla valvola</i>	6						
21	0604.07	Valve cage	<i>Gabbia valvola</i>	6						
22	1802.13	Hexagonal screw	<i>Vite M6x14</i>	8						
23	0203.18	Bearing cover	<i>Coperchio cuscinetto</i>	2						
24	0700.04	Sight glass	<i>Spia livello olio</i>	1						
25	0601.83	"O" Ring Ø3.53x55.56	<i>"O" Ring Ø3.53x55.56</i>	1						
26	1500.03	Snap ring	<i>Anello Ø25</i>	1						
27	0213.00	Ball bearing	<i>Cuscinetto a sfere</i>	2						
28	1600.04	Oil dip stick	<i>Tappo livello olio</i>	1						
29	0004.59	Crankshaft	<i>Albero eccentrico</i>	1	◆					
	0004.63	Crankshaft	<i>Albero eccentrico</i>	1		◆				
	0004.64	Crankshaft	<i>Albero eccentrico</i>	1			◆			
	0004.73	Crankshaft	<i>Albero eccentrico</i>	1				◆		
	0004.61	Crankshaft	<i>Albero eccentrico</i>	1					◆	
	0004.62	Crankshaft	<i>Albero eccentrico</i>	1						◆
30	0001.10	Crankshaft seal	<i>Anello radiale</i>	1						
31	0206.00	Crankshaft key	<i>Chiavetta</i>	1						
*32	0302.11	Plunger nut	<i>Dado pistone</i>	3						
*33	1200.22	Plunger 18mm	<i>Pistone Ø18</i>	3						
*34	1400.27	Copper spacer	<i>Rosetta rame</i>	3						
*35	0601.30	"O" Ring Ø1.78x5.28	<i>"O" Ring Ø1.78x5.28</i>	3						
*36	0009.13	Teflon ring	<i>Anello antiestrusione</i>	3						
37	0003.16	Plunger rod	<i>Asta pistone</i>	3	◆	◆	◆	◆	◆	◆
38	0100.08	Connecting rod	<i>Biella completa</i>	3						
39	1502.04	Connecting rod pin	<i>Spinotto</i>	3						
40	1401.02	Spring washer	<i>Rosetta elastica Ø6</i>	6						
41	1801.32	Connecting rod screw	<i>Vite M6x30</i>	6						
42	0600.06	Cover gasket	<i>Guarnizione coperchio</i>	1						
43	0203.24	Crankcase cover	<i>Coperchio</i>	1						
44	0603.02	Gasket, G3/8	<i>Guarnizione G3/8</i>	1						
45	1801.12	Cover screw	<i>Vite M6x16</i>	4						

		Part available in kit only
--	--	-------------------------------

*Particolare disponibile
solo in kit*

*		Part available in kit also
---	--	-------------------------------

*Particolare disponibile
anche in kit*

SPARE PARTS KIT

KIT RICAMBI

Posizioni <i>Item</i>	Part Number & Description	Codice e Descrizione	Q.tà/Pompa Q.ty/Pump	HC310	HC320	HC330	HC340	HC350	HC370
4- 5- 7	2612.06 Plunger Seals 18 mm	2612.06 <i>Guarnizioni pistone Ø18</i>	1	◆	◆	◆	◆	◆	◆
3- 4- 5- 6- 7- 8	2614.03 Complete seal Packing 18 mm	2614.03 <i>Pacco completo Guarnizioni pistone Ø18</i>	3	◆	◆	◆	◆	◆	◆
32- 33- 34- 35 36	2614.05 Plunger 18 mm	2614.05 <i>Pistone Ø18</i>	3	◆	◆	◆	◆	◆	◆
12- 13- 14	2600.12 Complete Valve	2600.12 <i>Valvola completa</i>	6	◆	◆	◆	◆	◆	◆
3	2608.03 Plunger oil Seals	2608.03 <i>Anelli tenuta olio Asta</i>	1	◆	◆	◆	◆	◆	◆

Pos. I tem	Codice Part Number	Description	Descrizione	Q.tà/Pompa Q.ty/Pump	HS310	HS330	HS340	HS350	HS370
1	0202.15	Crankcase	Carter	1					
2	0602.01	Plunger guide	Guida asta pistone	3					
*3	0001.03	Plunger oil seal	Anello radiale	3					
*4	0601.07	"O" Ring Ø1.78x31,47	"O" Ring Ø1.78x31,47	3					
*5	0002.20	"V" seal, dia.15mm	Anello tenuta "V" Ø15	6					
*6	1201.22	Pressure ring 15mm	Pressore Ø15	3					
*7	0300.27	Support ring 15mm	Diffusore Ø15	6					
*8	0300.28	Intermed. ring 15mm	Diffusore Intermed. Ø15	3					
9	1601.17	Brass plug G3/8	Tappo G3/8	3					
10	0603.06	Copper washer 3/8	Guarnizione rame G3/8	2					
11	1602.18	Manifold housing	Testata	1					
*12	0601.61	"O" Ring Ø1.78x15.60	"O" Ring Ø1.78x15.60	6					
*13	3604.60	Valve assembly	Valvola premontata	6					
*14	0601.06	"O" Ring Ø2.62x18.72	"O" Ring Ø2.62x18.72	6					
15	1601.36	Valve plug	Tappo valvola	6	®	®	®	®	®
16	1801.27	Manifold stud bolt	Vite M8x55	8					
17	1400.01	Washer	Rosetta Ø8.5	8					
18	1503.22	Valve seat	Sede valvola	6					
19	1202.00	Valve plate	Piattello valvola	6					
20	0900.30	Valve spring	Molla valvola	6					
21	0604.07	Valve cage	Gabbia valvola	6					
22	1802.13	Hexagonal screw	Vite M6x14	8					
23	0203.18	Bearing cover	Coperchio cuscinetto	2					
24	0700.04	Sight glass	Spia livello olio	1					
25	0601.83	"O" Ring Ø3.53x55.56	"O" Ring Ø3.53x55.56	1					
26	1500.03	Snap ring	Anello Ø25	1					
27	0213.00	Ball bearing	Cuscinetto a sfere	2					
28	1600.04	Oil dip stick	Tappo livello olio	1					
29	0004.58	Crankshaft	Albero eccentrico	1	®				
	0004.59	Crankshaft	Albero eccentrico	1		®			
	0004.60	Crankshaft	Albero eccentrico	1			®		
	0004.65	Crankshaft	Albero eccentrico	1				®	
	0004.61	Crankshaft	Albero eccentrico	1					®
30	0001.10	Crankshaft seal	Anello radiale	1					
31	0206.00	Crankshaft keyl	Chiavetta	1					
*32	0302.11	Plunger nut	Dado pistone	3					
*33	1200.23	Plunger 15mm	Pistone Ø15	3					
*34	1400.27	Copper spacer	Rosetta rame	3					
*35	0601.30	"O" Ring Ø1.78x5.28	"O" Ring Ø1.78x5.28	3					
*36	0009.13	Teflon ring	Anello antiestrusione	3					
37	0003.16	Plunger rod	Asta pistone	3	®	®	®	®	®
38	0100.08	Connecting rod	Biella completa	3					
39	1502.04	Connecting rod pin	Spinotto	3					
40	1401.02	Spring washer	Rosetta elastica Ø6	6					
41	1801.32	Connecting rod screw	Vite M6x30	6					
42	0600.06	Cover gasket	Guarnizione coperchio	1					
43	0203.24	Crankcase cover	Coperchio	1					
44	0603.02	Gasket, G3/8	Guarnizione G3/8	1					
45	1801.12	Cover screw	Vite M6x16	4					

		Part available in kit only
--	--	-------------------------------

*Particolare disponibile
solo in kit*

*		Part available in kit also
---	--	-------------------------------

*Particolare disponibile
anche in kit*

SPARE PARTS KIT

KIT RICAMBI

Posizioni <i>Item</i>	Part Number & Description	Codice e Descrizione	Q.tà/Pompa Q.ty/Pump	HS310	HS330	HS340	HS350	HS370
4- 5- 7	2614.01 Plunger Seals 15 mm	2614.01 <i>Guarnizioni pistone Ø15</i>	1	®	®	®	®	®
3- 4- 5- 6- 7- 8	2614.02 Complete seal Packing 15 mm	2614.02 <i>Pacco completo Guarnizioni pistone Ø15</i>	3	®	®	®	®	®
32- 33- 34- 35- 36	2614.04 Plunger 15 mm	2614.04 <i>Pistone Ø15</i>	3	®	®	®	®	®
12- 13- 14	2600.12 Complete Valve	2600.12 <i>Valvola completa</i>	6	®	®	®	®	®
3	2608.03 Plunger oil Seals	2608.03 <i>Anelli tenuta olio Asta</i>	1	®	®	®	®	®