

- H306
- H406
- HC456
- HC456I
- HC456SI
- HC506
- HC506I
- HC506SI
- HC536
- HC556
- HC556I
- HC576I
- HC586

**HAWK**  
*Pompe MT serie 2006*  
*MT pumps 2006 series*

Caratteristiche Tecniche

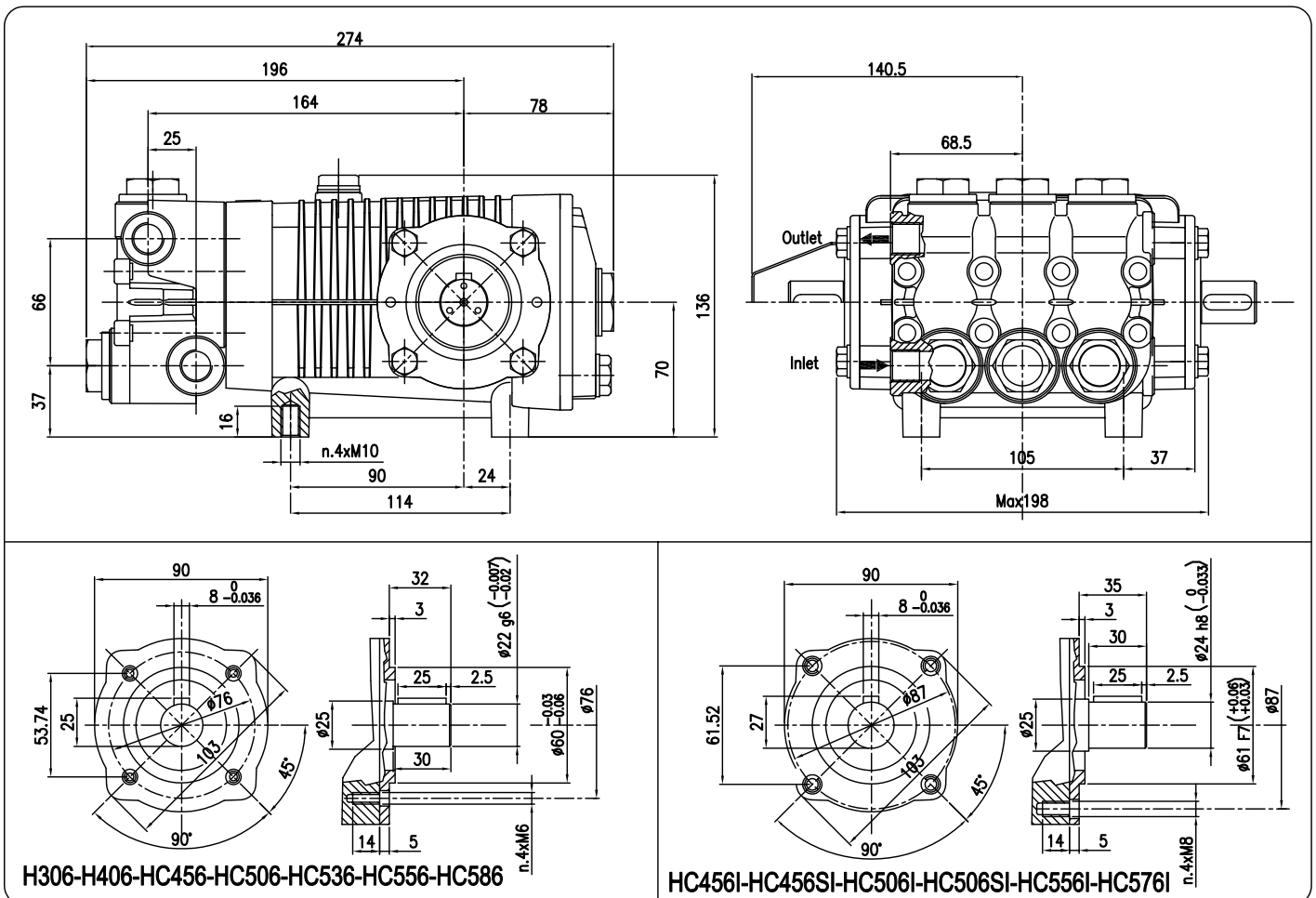
MT Serie 2006 Series

Technical Characteristics

Pump Pompe Pumpen Pompa	Pressure Pression Druck Pressione		Volume Débit Leistung Portata		RPM tours/min u.p.m. giri/min	Required HP Puissance HP Leistung HP Potenza HP	Inlet port Entrée Eingang Aspirazione	Outlet Sortie Ausgang Mandata	Weight Kg Poids Kg Gewicht Kg Peso Kg
	bar	PSI	l/min	GPM					
<b>H306</b>	200	3000	12.5		1000	6.4	G 3/8	G 3/8	10
				4.0	1200	7.7			
<b>H406</b>	200	3000	15.0		1000	7.7	G 3/8	G 3/8	10
				4.8	1200	9.2			
<b>HC456-HC456I</b>	200	3000	12.5		1450	6.4	G 3/8	G 3/8	10
				4.0	1725	7.7			
<b>HC456SI</b>	200	3000	12.5		1450	6.4	G 1/2	G 3/8	10
				4.0	1725	7.7			
<b>HC506-HC506I</b>	200	3000	15.0		1450	7.7	G 3/8	G 3/8	10
				4.7	1725	9.2			
<b>HC506SI</b>	200	3000	15.0		1450	7.7	G 1/2	G 3/8	10
				4.7	1725	9.2			
<b>HC536</b>	200	3000	16		1450	8.2	G 1/2	G 3/8	10
				5.0	1725	9.7			
<b>HC556-HC556I</b>	200	3000	18		1450	9.2	G 1/2	G 3/8	10
				5.6	1725	11.0			
<b>HC576I</b>	200	3000	21		1450	10.7	G 1/2	G 3/8	10
				6.5	1725	12.7			
<b>HC586</b>	200	3000	21.5		1450	11.0	G 1/2	G 3/8	10
				6.75	1725	13.1			

Dimensioni d' ingombro

Overall dimensions



Lubrificazione: Olio SAE 20/40W  
Capacità 0.7 Litri

Lubrication: SAE 20/40W Oil  
Capacity 0.7 Litri

## PARTS LIST

## MT pumps 2006 series

Item	Part Number	Description	Q.ty by Pump	H306	H306RL	H406	H406RL	HC456	HC456RL	HC456IRL	HC456SIRL	HC506	HC506RL	HC506IRL	HC506SIRL	HC536RL	HC556	HC556IRL	HC576IRL	HC586RL
1	0202.31	Crankcase	1	®	®	®	®	®	®			®	®			®	®			®
	0202.30	Crankcase	1							®	®			®	®			®	®	
2	0602.01	Plunger guide	3																	
*3	0001.03	Plunger oil seal	3																	
*4	0601.07	"O" Ring Ø1.78x31.47	3																	
*5	0002.05	"V" seal, dia.20mm	6	®	®	®	®	®	®	®	®	®	®	®	®	®	®	®	®	®
*6	1201.04	Pressure ring 20mm	3																	
*7	0300.09	Support ring 20mm	6																	
*8	0300.08	Intermed. ring 20mm	3																	
*9	1601.17	Brass plug G3/8	1	®	®	®	®	®	®	®		®	®	®						
	1601.20	Brass plug G1/2	1								®				®	®	®	®	®	®
*10	0603.06	Copper washer	1	®	®	®	®	®	®	®		®	®	®						
	0603.07	Copper washer	1								®				®	®	®	®	®	®
*11	1602.04	Manifold housing	1	®	®	®	®	®	®	®		®	®	®						
	1602.05	Manifold housing	1								®				®	®	®	®	®	®
*12	0601.19	"O" Ring Ø2.62x17.13	6																	
*13	3604.70	Valve assembly	6																	
*14	0601.65	"O" Ring Ø2.62x20.29	6	®	®	®	®	®	®	®	®	®	®	®	®	®	®	®	®	®
*15	1601.30	Valve plug	6																	
16	1801.04	Manifold stud bolt	8																	
17	1400.01	Washer	∩	8	8	8	8	8	8	16	16	8	8	16	16	8	8	16	16	8
	1400.02	Washer	8	®	®	®	®	®	®			®	®			®	®			®
*18	0603.06	Copper washer	1																	
*19	1601.17	Brass plug G3/8	2																	
20	1503.18	Valve seat	6	®	®	®	®	®	®	®	®	®	®	®	®	®	®	®	®	®
21	1202.00	Valve plate	6																	
22	0900.30	Valve spring	6																	
23	0604.05	Valve cage	6																	
24	1802.07	Hexagonal screw	8	®	®	®	®	®	®			®	®			®	®			®
	1801.19	Hexagonal screw	8							®	®			®	®			®	®	
25	0500.47	Bearing housing	∩	2	1	2	1	2	1			2	1			1	2			1
	0500.45	Bearing housing	∩							1	1			1	1			1	1	
26	0500.48	Closed bearing housing	1		®		®		®			®				®				®
	0500.46	Closed bearing housing	1							®	®			®	®				®	®
27	0601.63	"O" Ring Ø2.62x60,05	2	®	®	®	®	®	®	®	®	®	®	®	®	®	®	®	®	®
28	0001.02	Crankshaft seal	∩	2	1	2	1	2	1	1	1	2	1	1	1	1	2	1	1	1
29	0200.06	Roller bearing	2	®	®	®	®	®	®	®	®	®	®	®	®	®	®	®	®	®
30	0004.01	Double-ended shaft	1			®														
	0004.04	" " "	1									®								
	0004.07	" " "	1	®													®			
	0004.08	" " "	1					®												
31	0004.06	Single - ended shaft	1										®							
	0004.10	" " "	1						®											
	0004.11	" " "	1				®													®
	0004.12	" " "	1		®															
	0004.50	" " "	1															®		
	0004.56	" " "	1							®	®									
	0004.57	" " "	1											®	®					
	0004.79	" " "	1													®				
0004.82	" " "	1																	®	
32	0206.00	Crankshaft key	1	®	®	®	®	®	®	®	®	®	®	®	®	®	®	®	®	®
33	1600.02	Oil dip stick	1																	

**PARTS LIST**

**MT pumps 2006 series**

Item	Part Number	Description	Q.ty by Pump	H306	H306RL	H406	H406RL	HC456	HC456RL	HC456IRL	HC456SIRL	HC506	HC506RL	HC506IRL	HC506SIRL	HC536RL	HC556	HC556IRL	HC576IRL	HC586RL	
34	0301.02	Shim	1																		
*35	1800.01	Plunger bolt	3																		
*36	1400.12	Copper spacer	3																		
*37	0601.03	"O" Ring Ø1.78x7.66	3																		
*38	0009.04	Teflon ring	3																		
*39	1200.10	Plunger 20mm	3																		
*40	1400.15	Copper spacer	3																		
41	0003.01	Plunger rod	3																		
42	0100.01	Connecting rod	3	®	®	®	®	®	®	®	®	®	®	®	®	®	®	®	®	®	®
43	1502.01	Connecting rod pin	3																		
44	1801.05	Connecting rod screw	6																		
45	1500.01	Snap ring	6																		
46	1401.02	Spring washer	6																		
47	0601.88	"O" Ring Ø2,62x126,67	1																		
48	0203.30	Crankcase cover	1																		
49	0601.14	"O" Ring Ø1.78x14	1																		
50	0700.05	Sight glass, G3/4	1																		
51	1801.12	Cover screw	4																		
52	0205.03	Shaft protector	1	®		®		®				®					®				
53	1804.03	Shaft protector Screw	2	®		®		®				®					®				

in kit only

*		Part available in kit also
---	--	----------------------------

**SPARE PARTS KIT**

Included Positions	Part Number & Description	Q.ty by Pump	H306	H306RL	H406	H406RL	HC456	HC456RL	HC456IRL	HC456SIRL	HC506	HC506RL	HC506IRL	HC506SIRL	HC536RL	HC556	HC556IRL	HC576IRL	HC586RL	
4- 5- 7	2608.01 Plunger Seals 20mm	1																		
3- 4- 5- 6- 7- 8	2608.00 Complete Seals Packing 20mm	3																		
35- 36- 37- 38 39- 40	2608.02 Plunger 20mm	3	®	®	®	®	®	®	®	®	®	®	®	®	®	®	®	®	®	®
12- 13- 14	2600.08 Complete Valve	6																		
3	2608.03 Plunger oil Seals	1																		
4- 5- 6- 7- 8- 9 10- 11- 12- 13 14- 15- 18- 19	2608.13 Complete Manifold	1	®	®	®	®	®	®			®	®	®							
	2608.14 Complete Manifold	1							®					®	®	®	®	®	®	®

Pos.	Codice	Descrizione	Q.tà per Pompa	H306	H306RL	H406	H406RL	HC456	HC456RL	HC456IRL	HC456SIRL	HC506	HC506RL	HC506IRL	HC506SIRL	HC536RL	HC556	HC556IRL	HC576IRL	HC586RL	
1	0202.31	Carter	1	®	®	®	®	®	®			®	®			®	®			®	
	0202.30	Carter	1							®	®			®	®				®	®	
2	0602.01	Guida asta pistone	3																		
*3	0001.03	Anello radiale	3																		
*4	0601.07	"O" Ring Ø1.78x31.47	3																		
*5	0002.05	Anello tenuta "V" Ø20	6	®	®	®	®	®	®	®	®	®	®	®	®	®	®	®	®	®	®
*6	1201.04	Pressore Ø20	3																		
*7	0300.09	Diffusore Ø20	6																		
*8	0300.08	Diffusore Interm. Ø20	3																		
*9	1601.17	Tappo G3/8	1	®	®	®	®	®	®	®		®	®	®							
	1601.20	Tappo G1/2	1								®				®	®	®	®	®	®	®
*10	0603.06	Guarnizione rame	1	®	®	®	®	®	®	®		®	®	®							
	0603.07	Guarnizione rame	1								®				®	®	®	®	®	®	®
*11	1602.04	Testata	1	®	®	®	®	®	®	®		®	®	®							
	1602.05	Testata	1								®				®	®	®	®	®	®	®
*12	0601.19	"O" Ring Ø2.62x17.13	6																		
*13	3604.70	Valvola premontata	6																		
*14	0601.65	"O" Ring Ø2.62x20.29	6	®	®	®	®	®	®	®	®	®	®	®	®	®	®	®	®	®	®
*15	1601.30	Tappo valvola	6																		
16	1801.04	Vite M8x65	8																		
17	1400.01	Rosetta Ø8.5	Ū	8	8	8	8	8	8	16	16	8	8	16	16	8	8	16	16	8	8
	1400.02	Rosetta Ø6.4	8	®	®	®	®	®	®			®	®			®	®				®
*18	0603.06	Guarnizione rame	1																		
*19	1601.17	Tappo G3/8	2																		
20	1503.18	Sede valvola	6	®	®	®	®	®	®	®	®	®	®	®	®	®	®	®	®	®	®
21	1202.00	Piattello valvola	6																		
22	0900.30	Molla valvola	6																		
23	0604.05	Gabbia valvola	6																		
24	1802.07	Vite M6x18	8	®	®	®	®	®	®			®	®			®	®				®
	1801.19	Vite M8x18	8							®	®			®	®				®	®	
25	0500.47	Flangia	Ū	2	1	2	1	2	1			2	1			1	2				1
	0500.45	Flangia									1	1			1	1				1	1
26	0500.48	Flangia chiusa	1		®		®		®			®		®		®					®
	0500.46	Flangia chiusa	1						®	®			®	®					®	®	
27	0601.63	"O" Ring Ø2.62x60,05	2	®	®	®	®	®	®	®	®	®	®	®	®	®	®	®	®	®	®
28	0001.02	Anello radiale	Ū	2	1	2	1	2	1	1	1	2	1	1	1	1	2	1	1	1	1
29	0200.06	Cuscinetto a rulli	2	®	®	®	®	®	®	®	®	®	®	®	®	®	®	®	®	®	®
30	0004.01	Albero doppia P.d.F.	1			®															
	0004.04	" " "	1									®									
	0004.07	" " "	1	®													®				
	0004.08	" " "	1					®													
31	0004.06	Albero semplice P.d.F.	1										®								
	0004.10	" " "	1						®												
	0004.11	" " "	1				®														®
	0004.12	" " "	1		®																
	0004.50	" " "	1																		®
	0004.56	" " "	1							®	®										
	0004.57	" " "	1											®	®						
	0004.79	" " "	1														®				
0004.82	" " "	1																		®	
32	0206.00	Chiavetta	1	®	®	®	®	®	®	®	®	®	®	®	®	®	®	®	®	®	®
33	1600.02	Tappo livello olio	1																		

**PARTS LIST**

**MT pumps 2006 series**

Pos.	Codice	Descrizione	Q.tà per Pompa	H306	H306RL	H406	H406RL	HC456	HC456RL	HC456IRL	HC456SIRL	HC506	HC506RL	HC506IRL	HC506SIRL	HC536RL	HC556	HC556IRL	HC576IRL	HC586RL	
34	0301.02	Distanziale	1																		
*35	1800.01	Vite pistone	3																		
*36	1400.12	Rosetta rame	3																		
*37	0601.03	"O" Ring Ø1.78x7.66	3																		
*38	0009.04	Anello antiestrusione	3																		
*39	1200.10	Pistone Ø20	3																		
*40	1400.15	Rosetta rame	3																		
41	0003.01	Asta pistone	3																		
42	0100.01	Biella completa	3	®	®	®	®	®	®	®	®	®	®	®	®	®	®	®	®	®	®
43	1502.01	Spinotto	3																		
44	1801.05	Vite M6x25	6																		
45	1500.01	Anello Ø10	6																		
46	1401.02	Rosetta elastica Ø6	6																		
47	0601.88	Guarnizione coperchio	1																		
48	0203.30	Coperchio	1																		
49	0601.14	"O" Ring Ø1.78x14	1																		
50	0700.05	Spia livello olio G3/4	1																		
51	1801.12	Vite M6x16	4																		
52	0205.03	Cappello potez.	1	®		®		®				®					®				
53	1804.03	Vite Cappello	2	®		®		®				®					®				

in kit only

*		Part available in kit also
---	--	-------------------------------

**SPARE PARTS KIT**

Included Positions	Part Number & Description	Q.ty by Pump	H306	H306RL	H406	H406RL	HC456	HC456RL	HC456IRL	HC456SIRL	HC506	HC506RL	HC506IRL	HC506SIRL	HC536RL	HC556	HC556IRL	HC576IRL	HC586RL	
4- 5- 7	2608.01 Guarnizioni pistone Ø20	1																		
3- 4- 5- 6- 7- 8	2608.00 Pacco completo Guarnizioni pistone Ø20	3																		
35- 36- 37- 38 39- 40	2608.02 Pistone Ø20	3	®	®	®	®	®	®	®	®	®	®	®	®	®	®	®	®	®	®
12- 13- 14	2600.08 Valvola completa	6																		
3	2608.03 Anelli tenuta olio Asta	1																		
4- 5- 6- 7- 8- 9 10- 11- 12- 13 14- 15- 18- 19	2608.13 Testata Completa	1	®	®	®	®	®	®			®	®	®							
	2608.14 Testata Completa	1								®				®	®	®	®	®	®	®